

Department of Mechanical Engineering

Academic Year 2016-2017

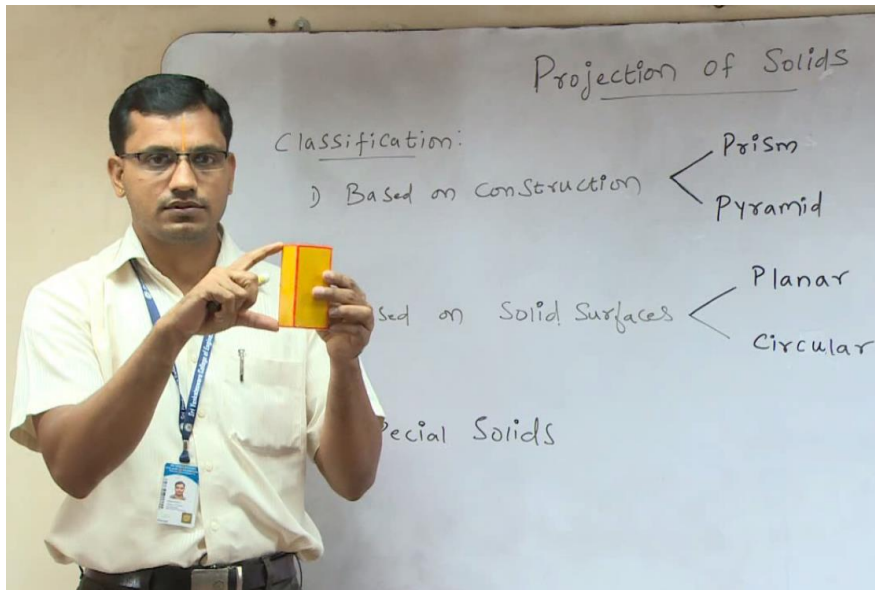
Semester I

Batch A

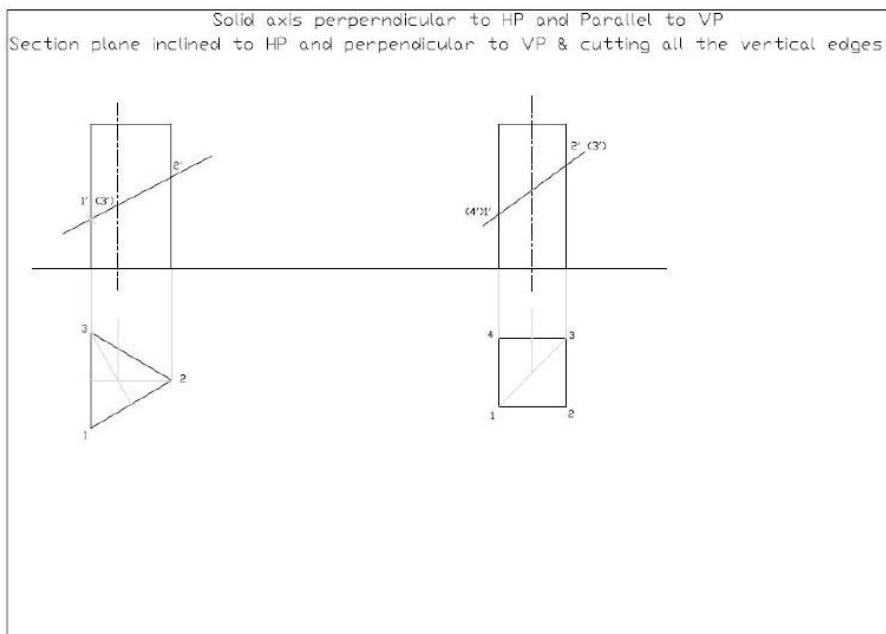
Subject Code GE16152

Subject Name Engineering Graphics

Teaching Methods	Type of learning
Demonstration using models	Experiential Learning
Online videos	Experiential learning
Assessment Methods	Type of learning
Tutorials	Problem Solving Methodologies



Demonstration using Solid Models



Problem solving methodologies

J. K. Sharma
Course Instructor

Ramesh
Head of the Department